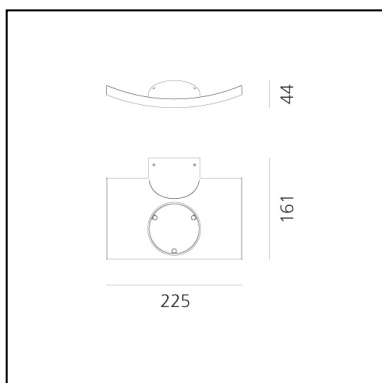


# Microsurf Gold

Neil Poulton



IP20    



## LUMINAIRE

- Watt: **17W**
- Voltage: **222 - 240 V**
- Delivered lumens output: **1942lm**
- CCT: **3000K**
- Efficiency: **97%**
- Efficacy: **114.24lm/W**
- CRI: **80**

## DESCRIPTION

A minimal, almost unobtrusive design to be integrated into any architectural setting. Materials: die-cast painted aluminium.

**PRODUCT CODE: 1646050A**

## FEATURES

- Article Code: **1646050A**
- Colour: **Gold**
- Installation: **Wall**
- Material: **Aluminium**
- Series: **Design Collection**
- Environment: **Indoor**
- Emission: **Indirect**
- design by: **Neil Poulton**

## DIMENSIONS

- Length: **cm 20**
- Width: **cm 15**
- Height: **cm 4**
- Glow Wire Test: **850°**

## SOURCES INCLUDED

- Category: **Led**
- Number: **1**
- Watt: **20W**
- Color temperature (K): **3000K**